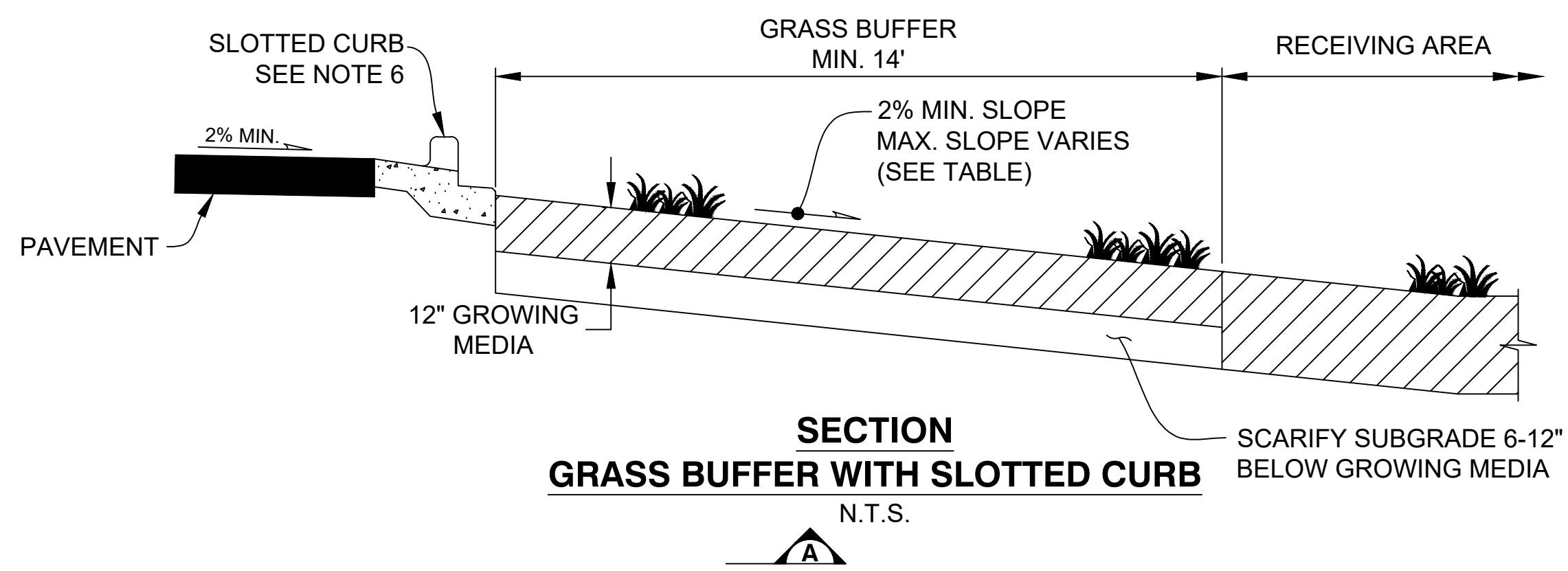
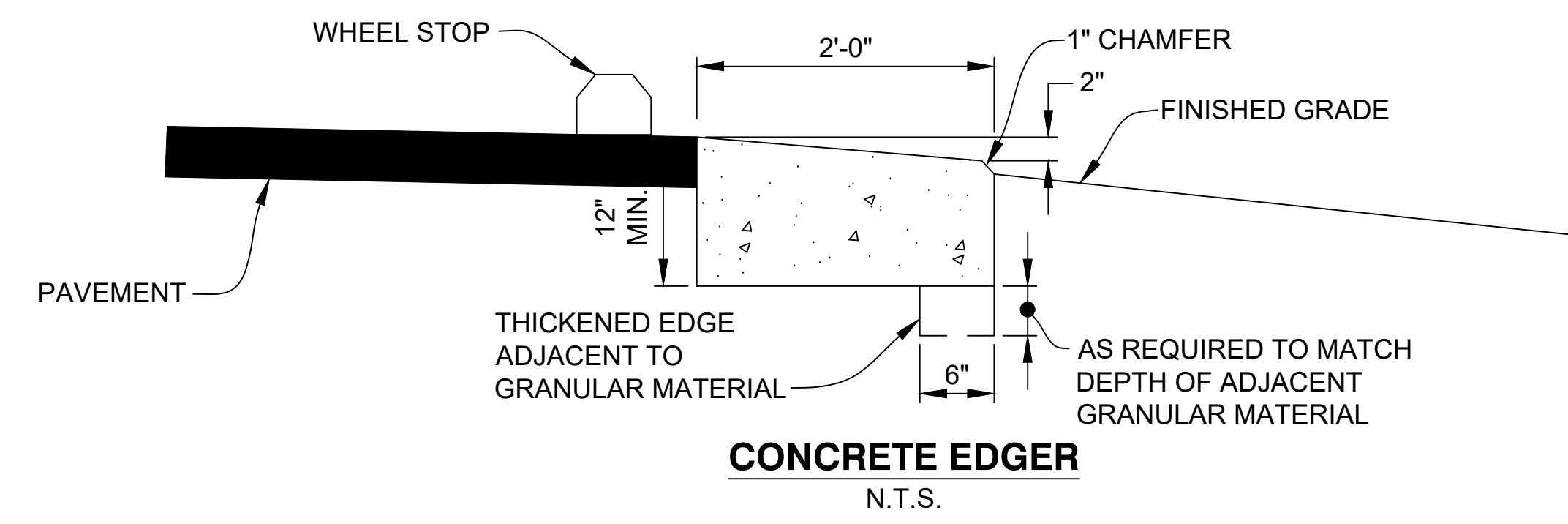


PLAN - GRASS BUFFER
N.T.S.



SECTION GRASS BUFFER WITH SLOTTED CURB
N.T.S.



CONCRETE EDGER
N.T.S.

DESIGN NOTES:

- GRASS BUFFERS ARE INTENDED FOR USE IN SHEET FLOW CONDITIONS (2-YR UNIT DISCHARGE NO GREATER THAN 0.05 CFS/FT). FOR CONCENTRATED FLOW SITUATIONS, A LEVEL SPREADER MUST BE USED TO CREATE SHEET FLOW CONDITIONS ONTO GRASS BUFFER. REFER TO USDCM, VOLUME 3, T-1 FOR LEVEL SPREADER DETAILS.
- NON-IRRIGATED GRASS BUFFERS ARE NOT PERMITTED AS A WATER QUALITY CONTROL MEASURE.
- GRASS BUFFERS ADJACENT TO ROADS, PARKING LOTS, OR OTHER TRAFFIC AREAS MUST BE PROTECTED FROM WHEEL RUTTING BY A SLOTTED CURB OR WHEEL STOPS WITH DRAINAGE SLOTS. LEVEL SPREADER MAY BE REQUIRED TO MEET SHEET FLOW CRITERIA.
- AN UNDERDRAIN MUST BE PROVIDED FOR GRASS BUFFERS IF RECOMMENDED BY GEOTECHNICAL ENGINEER. SEE UNDERDRAIN DETAILS ON GENERAL DETAILS SHEET.
- APPROVED MATERIAL SELECTIONS AND SPECIFICATIONS FOR THE SELECTED CONTROL MEASURE ARE LOCATED ON THE CONTROL MEASURE MATERIAL SPECIFICATION SHEET.
- SLOTTED CURB SHALL BE CONSTRUCTED WITH 1.5" OPENINGS AT 2' ON-CENTER. SEE USDCM, VOLUME 3, T-O FOR A DETAIL.
- GRASS BUFFER SHALL BE CONVEYED INTO A STORM SEWER, DRAINAGEWAY OR OTHER DESIGNATED DRAINAGE SYSTEM, TYPICALLY A PUBLIC DRAINAGE SYSTEM (NOT CURB AND GUTTER).

CONSTRUCTION NOTES: (INCLUDE ON CONSTRUCTION DRAWINGS)

- BIODEGRADABLE DOUBLE-NET 100% COCONUT EROSION CONTROL BLANKET IS REQUIRED ON NATIVE GRASS BUFFERS FOR ESTABLISHMENT OF GRASS COVER. INSTALLATION SHALL BE IN ACCORDANCE WITH SEMSWA GESC MANUAL.
- WHERE POSSIBLE, IRRIGATION SYSTEMS SHALL BE INSTALLED IN CONJUNCTION WITH FINISH GRADING OF GRASS BUFFER. IF IRRIGATION INSTALLATION WILL LAG, BUFFER SHALL BE RESTORED TO ORIGINAL CONDITION FOLLOWING INSTALLATION. DISTURBED LAYERS OF GRANULAR MATERIAL SHALL BE RESTORED, EROSION CONTROL BLANKET AND GEOTEXTILES SHALL BE REPLACED OR PATCHED, AND FINISH GRADES SHALL MAINTAIN DESIGN SLOPES.

GRASS BUFFER DESIGN CRITERIA

	MAX. SLOPE	MIN. SLOPE
IRRIGATED BLUEGRASS SOD	25%	2%
IRRIGATED TURF FORMING NATIVE GRASS	10%	2%

PLOTTED: 8/10/2020 4:48:33 PM

REFERENCE:	SCALE:	Standard Plan Revision		
		No.	Date	Description



6924 S. LIMA ST.
CENTENNIAL, CO 80112
PHONE (720) 874-6500
www.arapahoegov.com

GRASS BUFFER

SHEET 1 OF 1