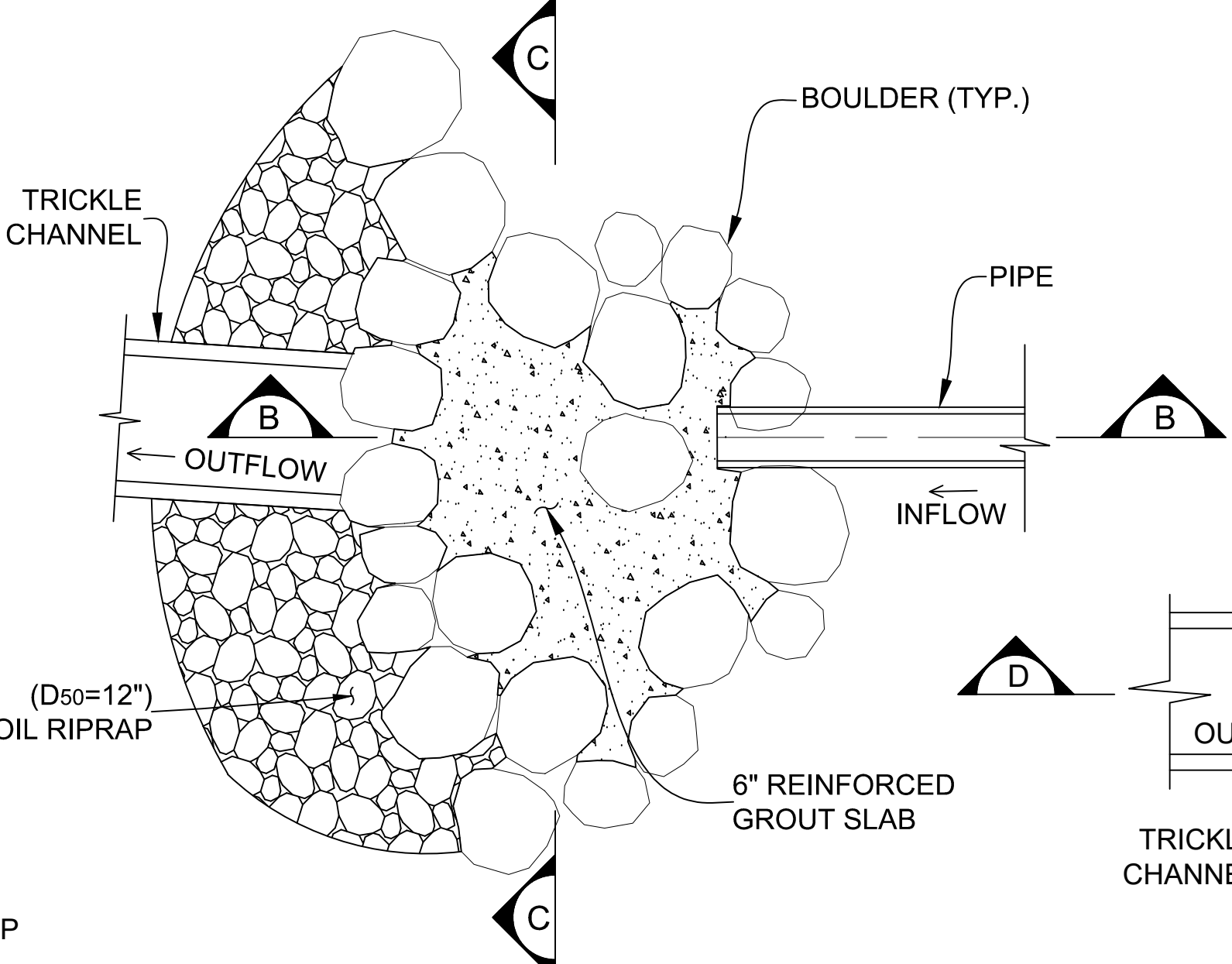
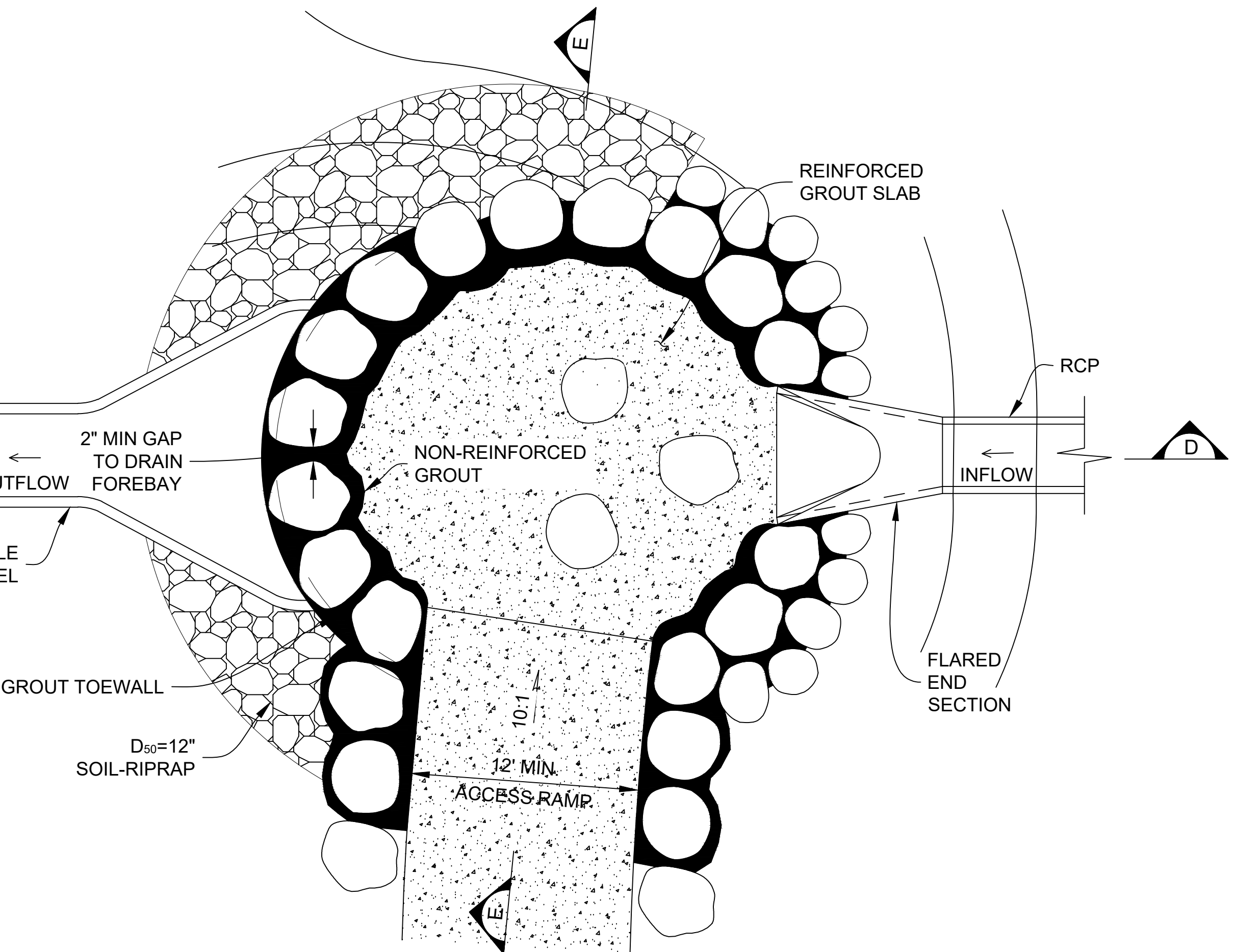


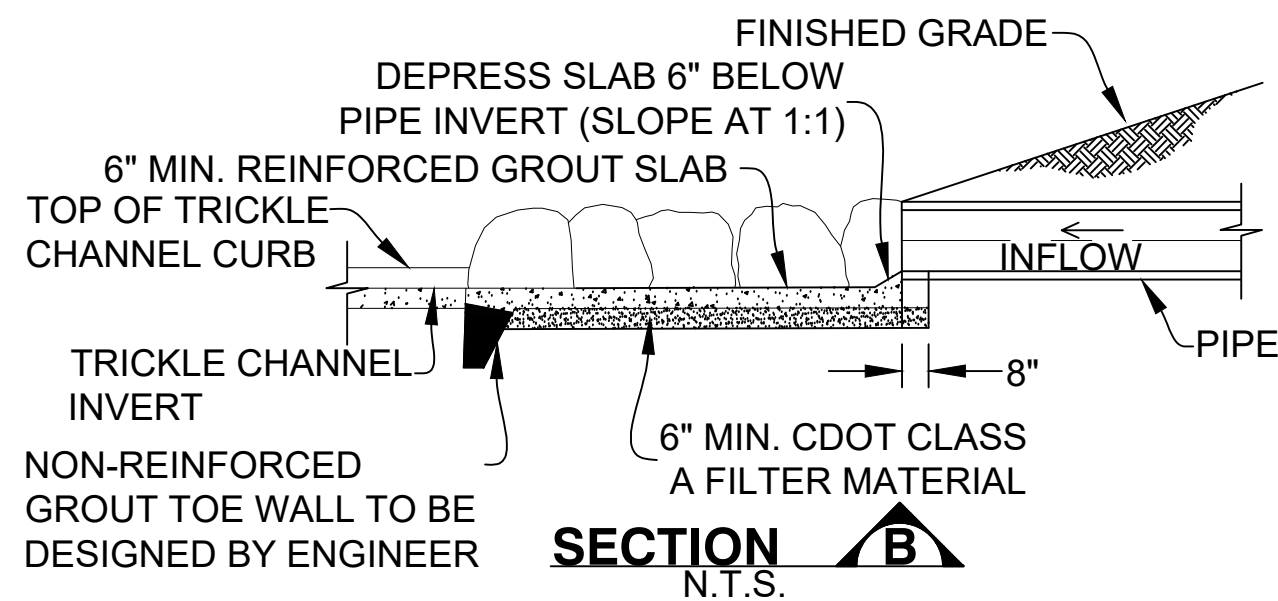
FOREBAY PLAN
N.T.S.



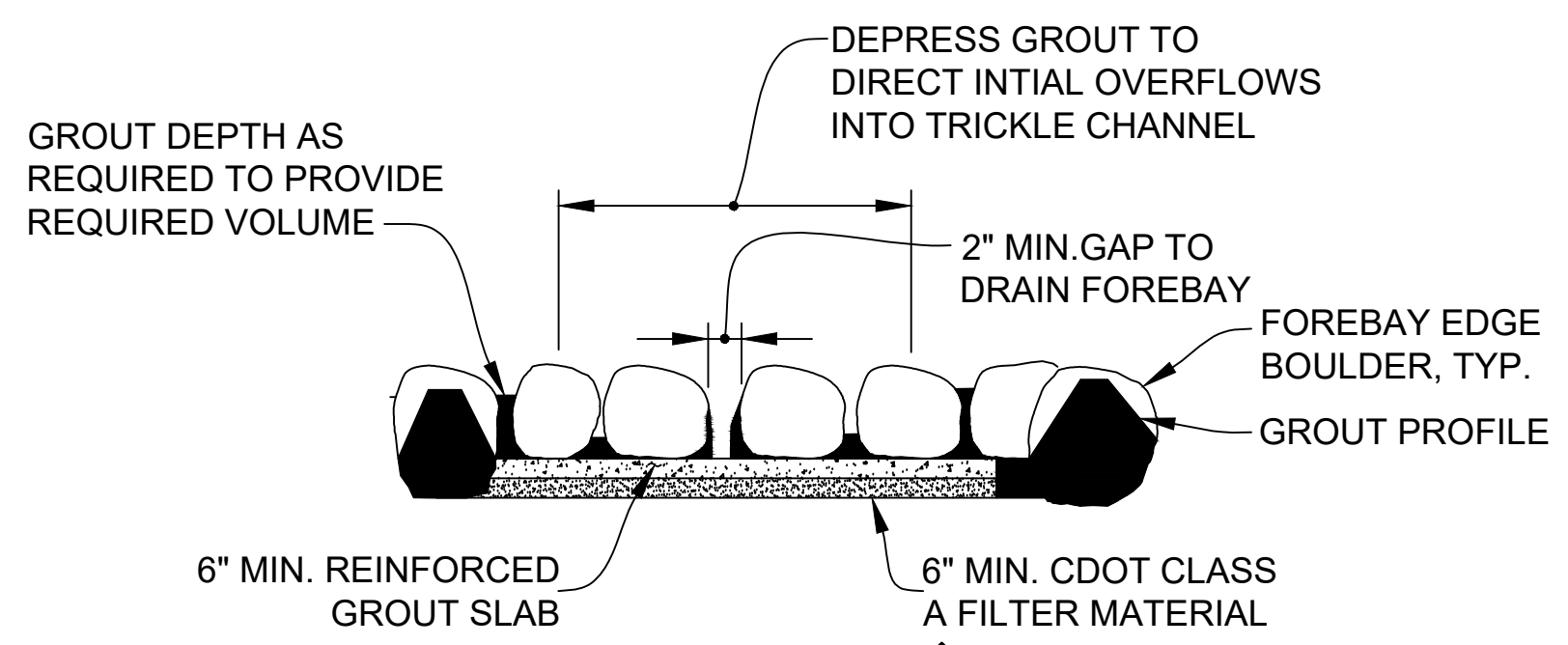
FOREBAY PLAN
N.T.S.



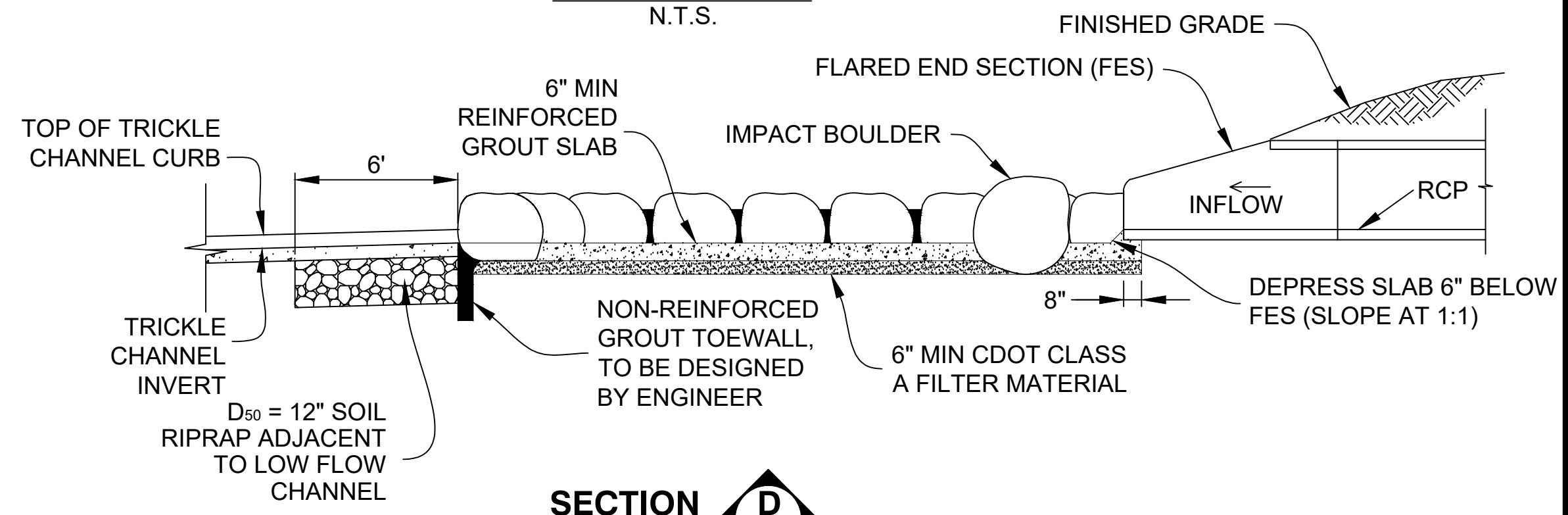
FOREBAY PLAN
N.T.S.



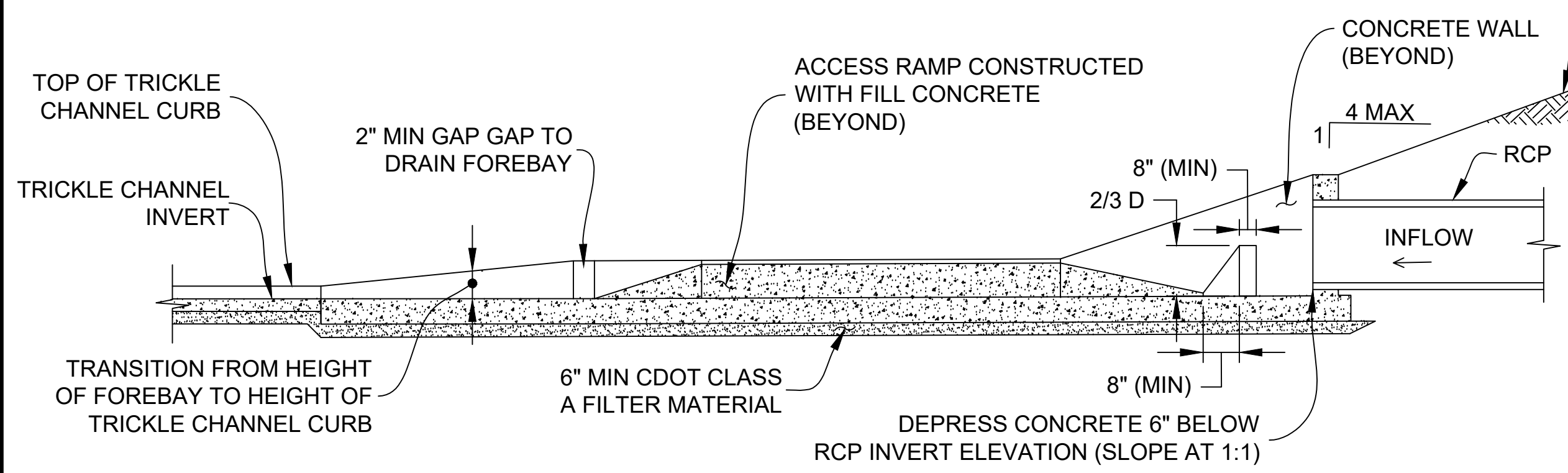
SECTION B
N.T.S.



SECTION C
N.T.S.



SECTION D
N.T.S.



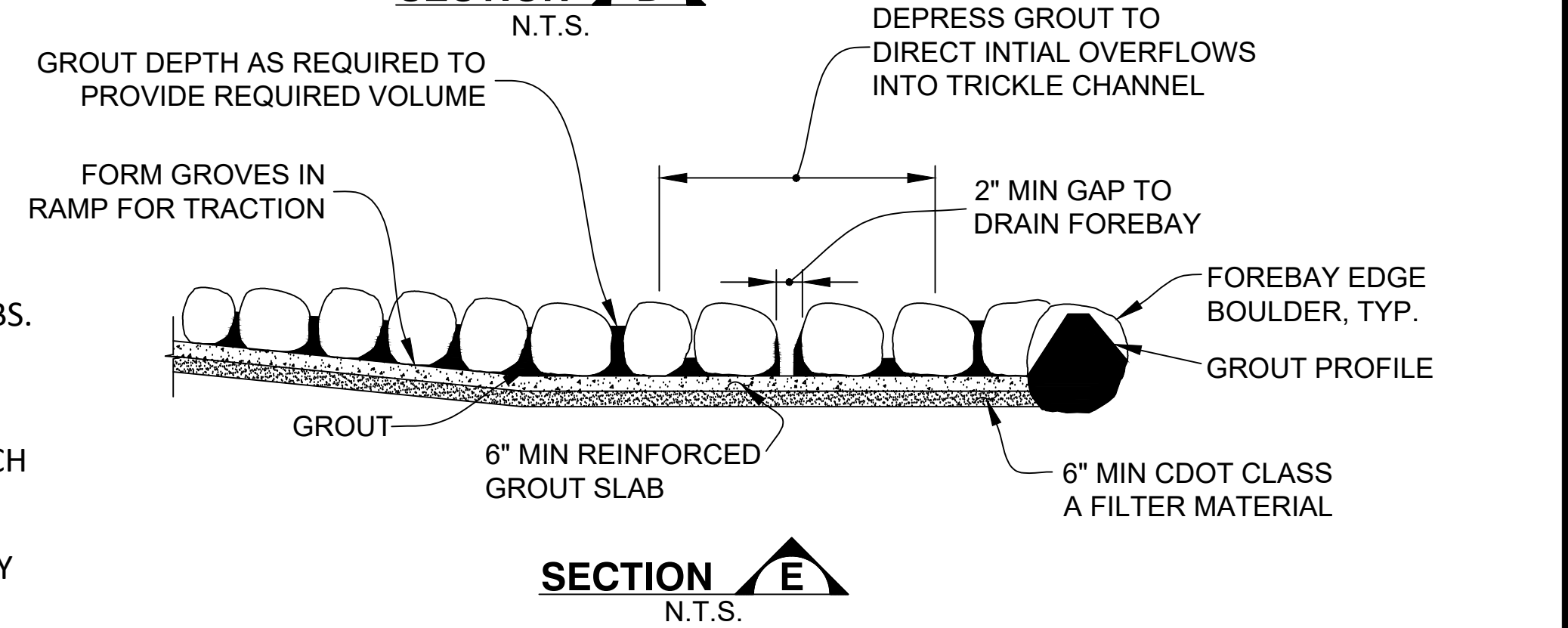
SECTION A
N.T.S.

CONCRETE LINED FOREBAY
N.T.S.

MEDB - BOULDER LINED FOREBAY
N.T.S.

FOREBAY DESIGN NOTES:

1. CONCRETE FOREBAY SHOWN INCLUDES ACCESS RAMP AS REQUIRED FOR STANDARD EDBS. THIS DETAIL SHALL BE MODIFIED AS APPROPRIATE FOR MODIFIED EDBS, INCLUDING REMOVAL OF THE ACCESS RAMP.
2. IT IS THE RESPONSIBILITY OF THE DESIGN ENGINEER TO SIZE FOREBAY AND OUTLET NOTCH (GAP) IN ACCORDANCE WITH USDCM VOLUME 3.
3. OUTLET NOTCH SHALL EXTEND TO BOTTOM ELEVATION OF FOREBAY TO ALLOW FOREBAY TO COMPLETELY DRAIN.
4. ALL CONCRETE SHALL BE REINFORCED, CAST-IN-PLACE AND DESIGNED BY A REGISTERED PROFESSIONAL ENGINEER. THE ENGINEER SHALL DESIGN AND DETAIL CONCRETE THICKNESS, REBAR AND COLD JOINT CONNECTIONS (WHEN MULTIPLE CONCRETE POURS ARE REQUIRED).
5. ALL DIMENSIONS PROVIDED ON DETAILS SHALL BE CONSIDERED MINIMUMS.



SECTION E
N.T.S.

EDB BOULDER LINED FOREBAY
N.T.S.

PLOTED: 04/02/2024 4:21:37 PM

REFERENCE:	SCALE:	Standard Plan Revision		
		No.	Date	Description



6924 S. LIMA ST.
CENTENNIAL, CO 80112
PHONE (720) 874-6500
www.arapahoegov.com

FOREBAY DETAILS

SHEET
1 OF 1