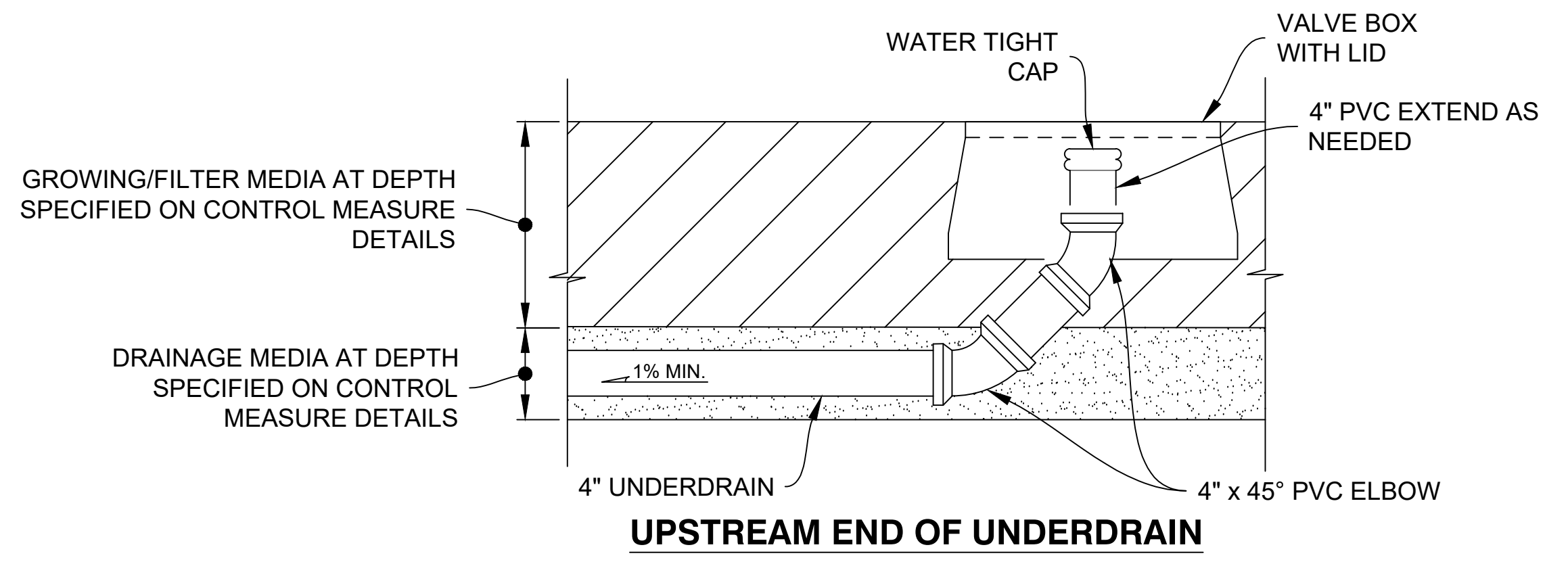
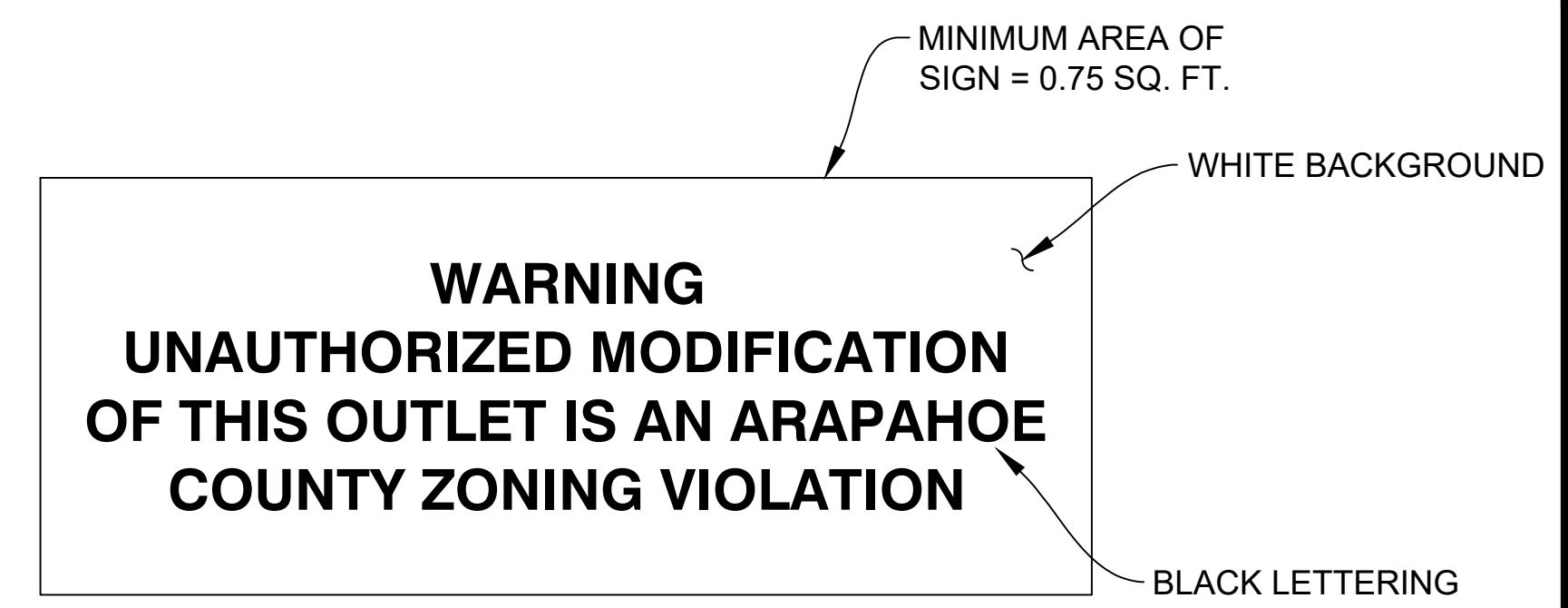


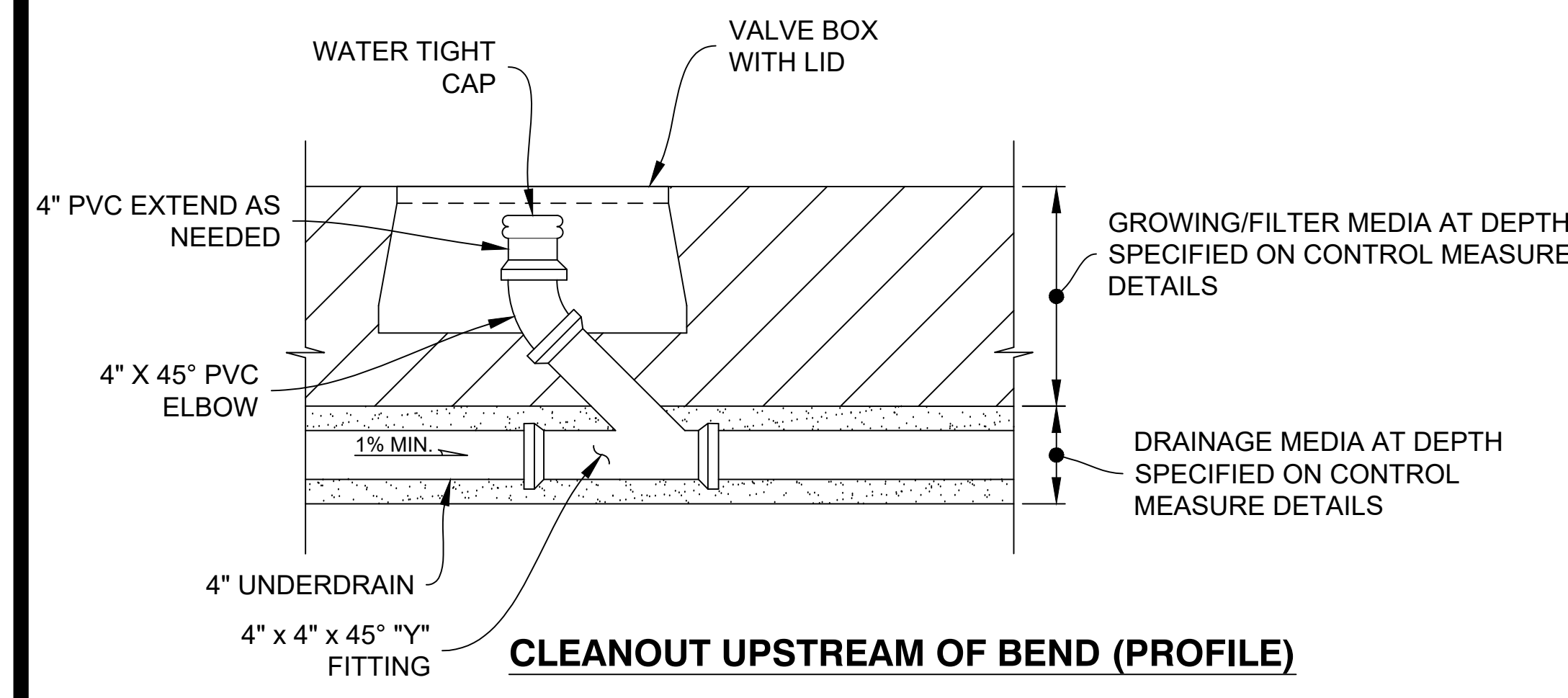
CLEANOUT UPSTREAM OF BEND (PLAN VIEW)



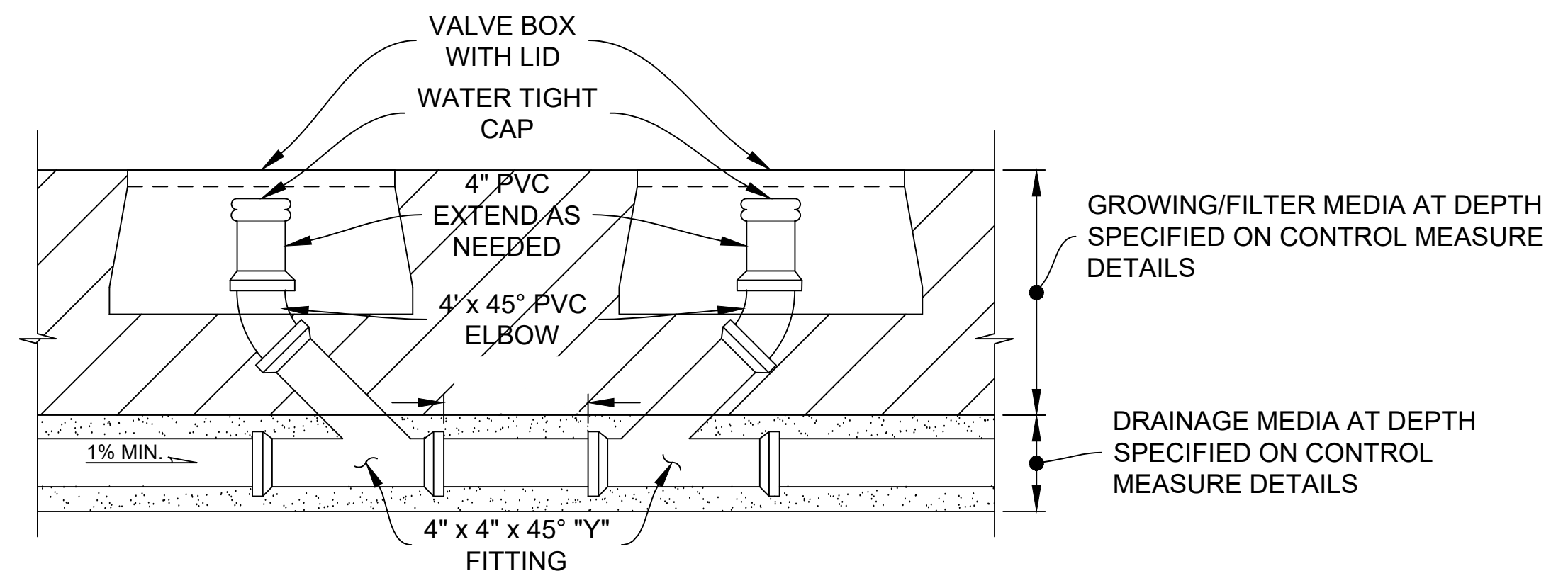
UPSTREAM END OF UNDERDRAIN



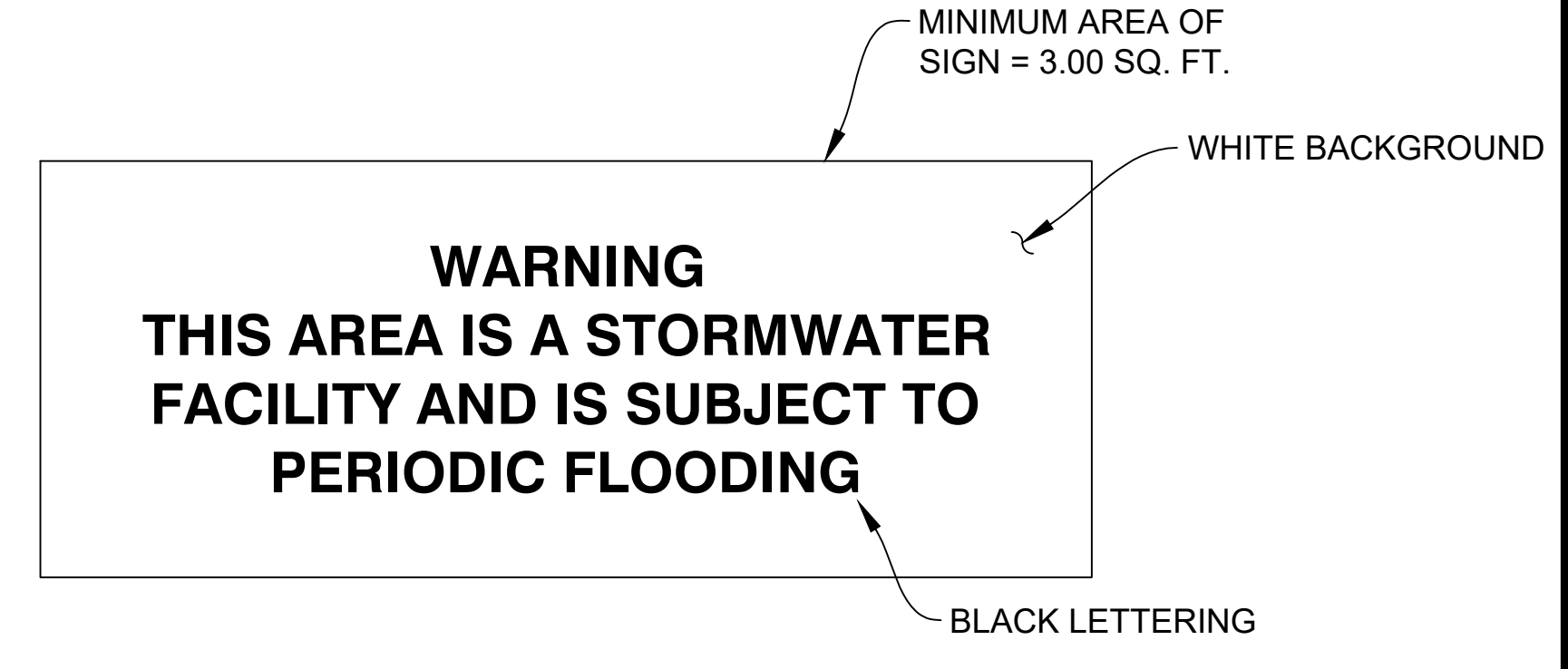
OUTLET MODIFICATION SIGN
N.T.S.



CLEANOUT UPSTREAM OF BEND (PROFILE)



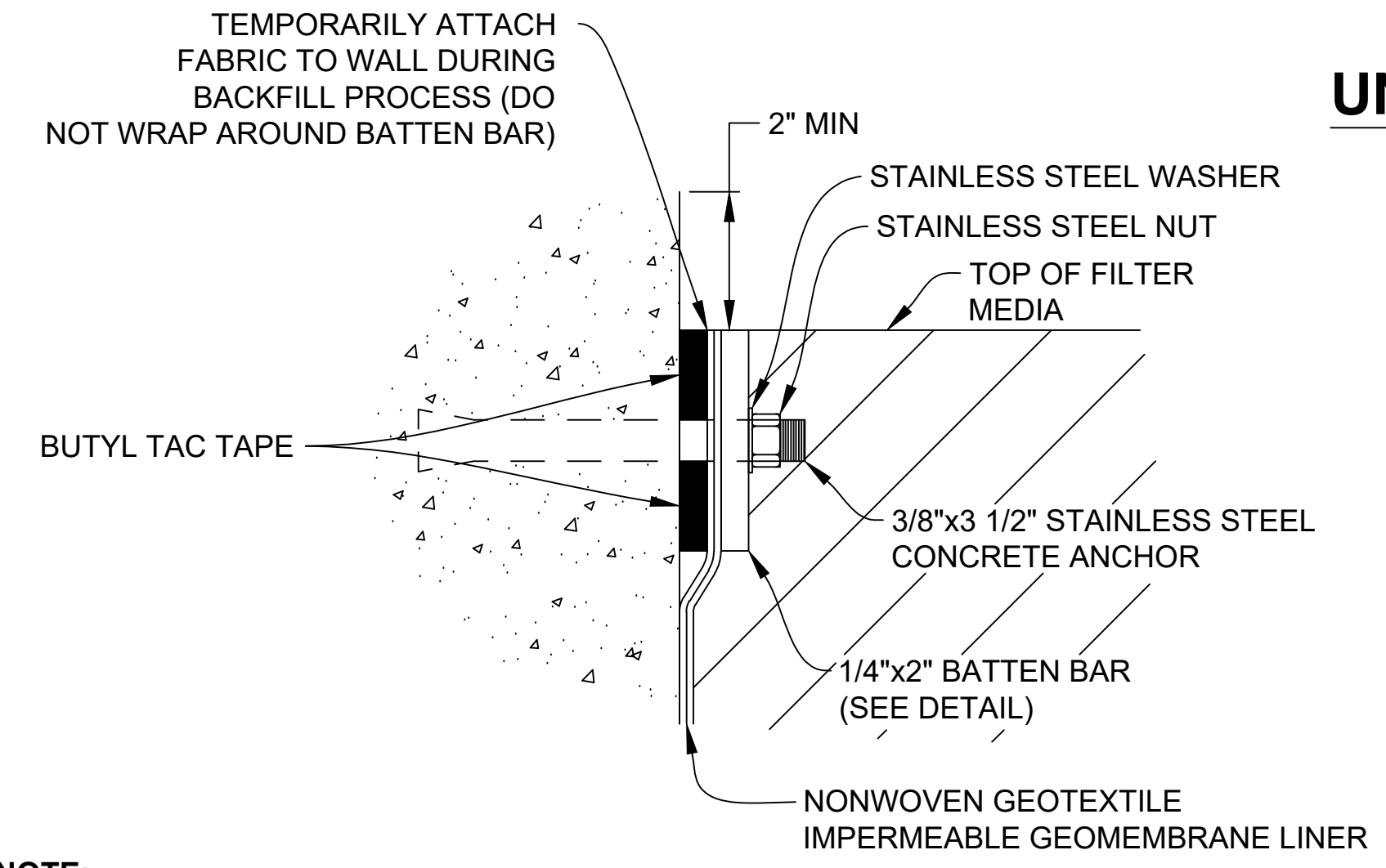
DOUBLE SWEEP CLEANOUT



FLOOD HAZARD WARNING SIGN - GENERAL
N.T.S.

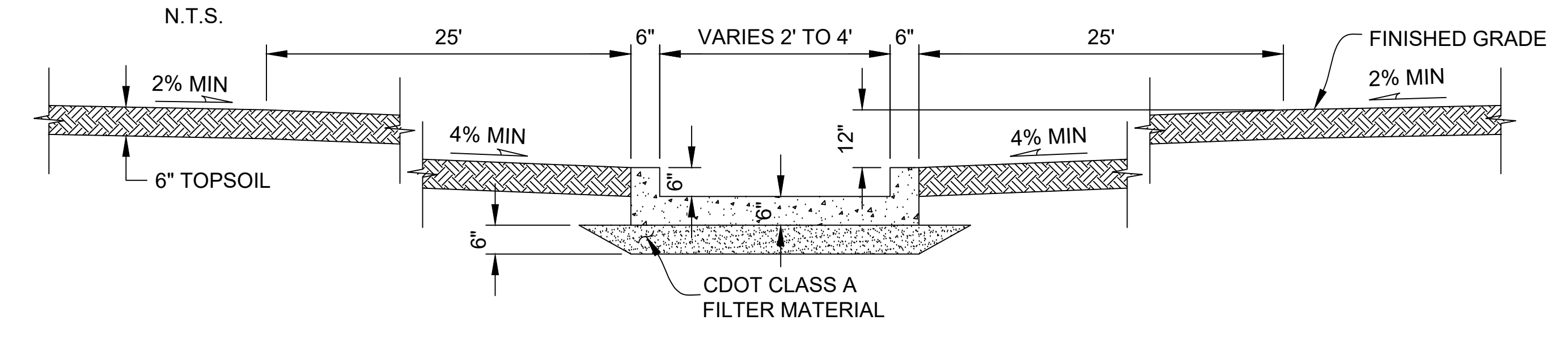
- CLEANOUT NOTES:**
1. ALL 90° BENDS IN UNDERDRAIN SHALL BE MADE UP OF TWO 45° BENDS WITH A 1'(MIN) STRAIGHT PIPE IN BETWEEN.
 2. FOR ALL FACILITIES, MAXIMUM SPACING BETWEEN CLEANOUTS IS 150'. A DOUBLE SWEEP CLEANOUT SHALL BE USED ALONG STRAIGHT SECTIONS OF PIPE AT 150' SPACING.
 3. VALVE BOX SHALL BE RAIN BIRD MODEL #PVBJMB WITH A LOCKABLE LID, OR ARAPAHOE COUNTY APPROVED EQUIVALENT.
 4. A CLEANOUT IS NOT REQUIRED AT BENDS INTO AN OUTLET STRUCTURE IF THE BEND IS 50' OR LESS FROM THE STRUCTURE.

- SIGNAGE NOTES:**
1. OUTLET MODIFICATION SIGN SHALL BE ATTACHED TO OR POSITIONED AT A VISIBLE LOCATION NEAR FACILITY OUTLETS.
 2. ONE FLOOD HAZARD WARNING SIGN SHALL BE PROVIDED IDENTIFYING THE FACILITY PONDING AREA. THE SIGN SHALL BE PLACED AT A VISIBLE LOCATION. ARAPAHOE COUNTY RESERVES THE RIGHT TO REQUEST ADDITIONAL SIGNS FOR SOME CONTROL MEASURES.
 3. ALL SIGNS MUST BE PROFESSIONALLY PRODUCED (NO PEEL - OFF LETTERS) AND INCLUDE ARAPAHOE COUNTY LOGO.
 4. ALL SIGNS PLACED IN PUBLIC RIGHTS OF WAY SHALL MEET ARAPAHOE COUNTY SIGN POST REQUIREMENTS

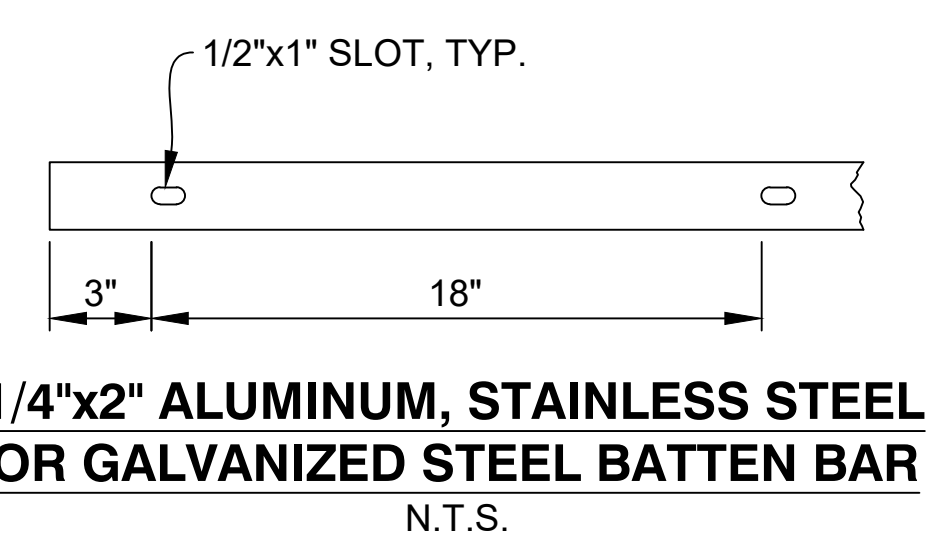


FABRIC ATTACHMENT DETAIL
N.T.S.

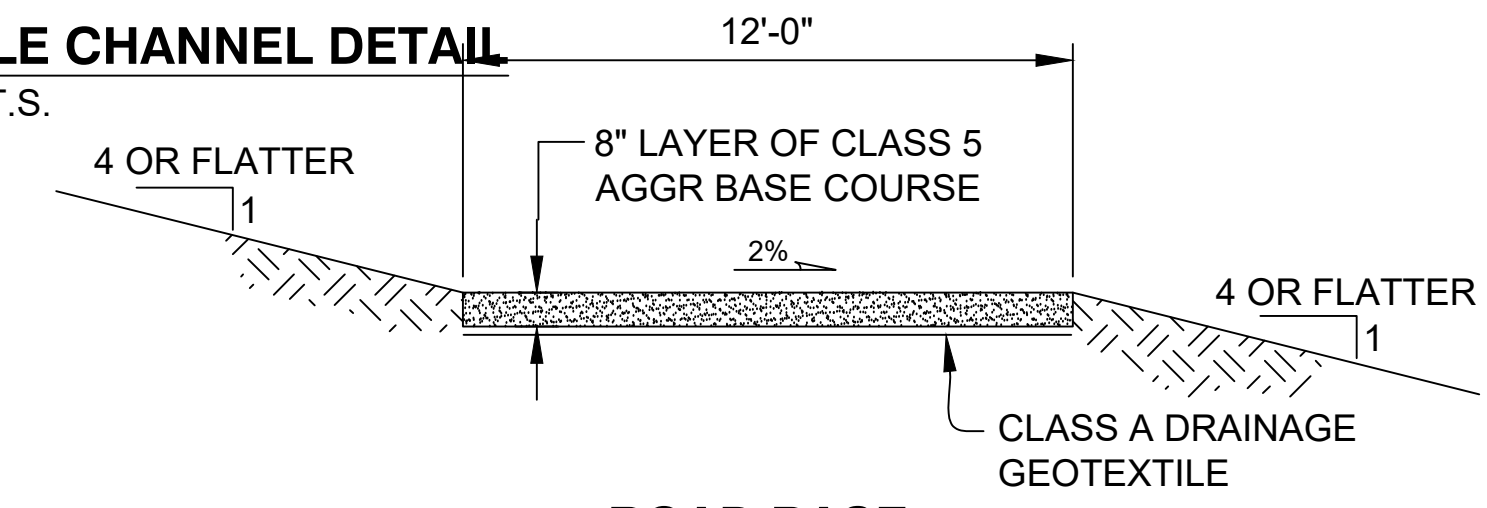
UNDERDRAIN CLEANOUT DETAILS



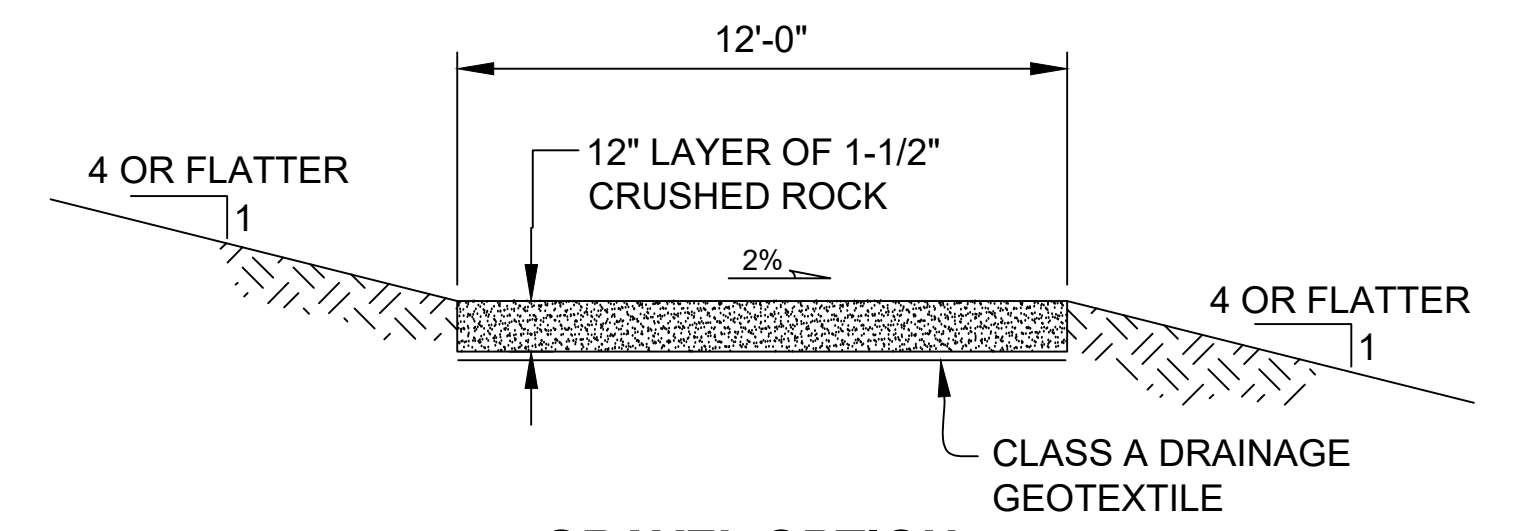
CONCRETE TRICKLE CHANNEL DETAIL



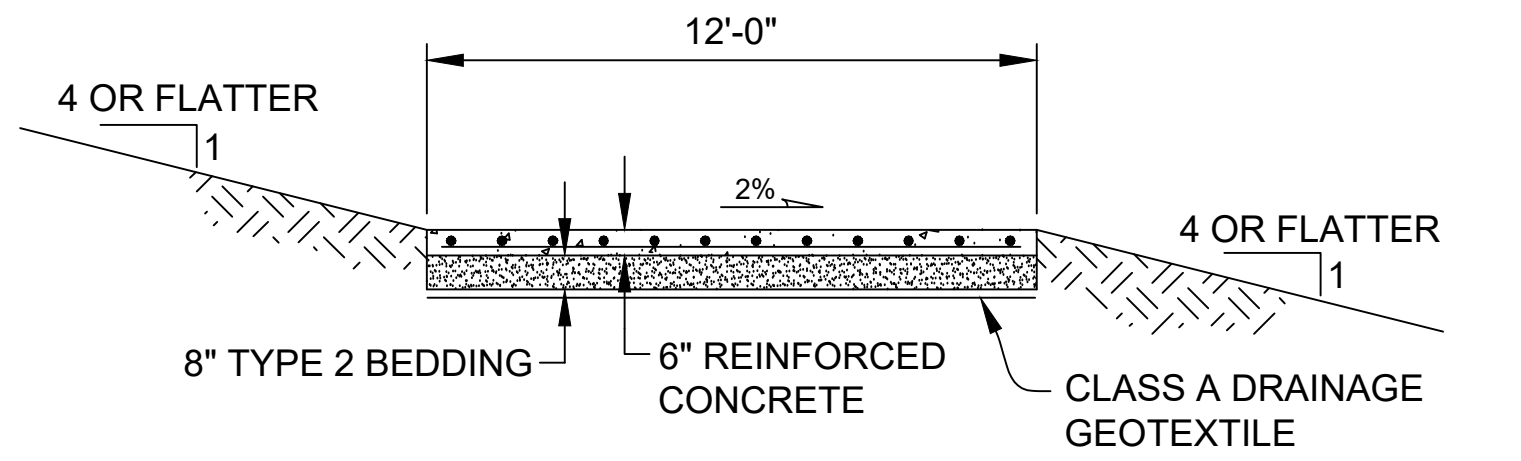
1/4"x2" ALUMINUM, STAINLESS STEEL OR GALVANIZED STEEL BATTEN BAR
N.T.S.



ROAD BASE (ABOVE EURV)



GRAVEL OPTION (BELOW EURV)



CONCRETE OPTION (BELOW EURV)

MAINTENANCE ROAD DETAILS
N.T.S.

NOTE:
1. SEE USDCM, VOLUME 3, T-3 FOR GEOMEMBRANE LINER/UNDERDRAIN PENETRATION DETAIL.

REFERENCE:	SCALE:	Standard Plan Revision		
		No.	Date	Description



6924 S. LIMA ST.
CENTENNIAL, CO 80112
PHONE (720) 874-6500
www.arapahoegov.com

GENERAL DETAILS

SHEET 1 OF 1

PLOTTED: 8/10/2020 4:50:08 PM