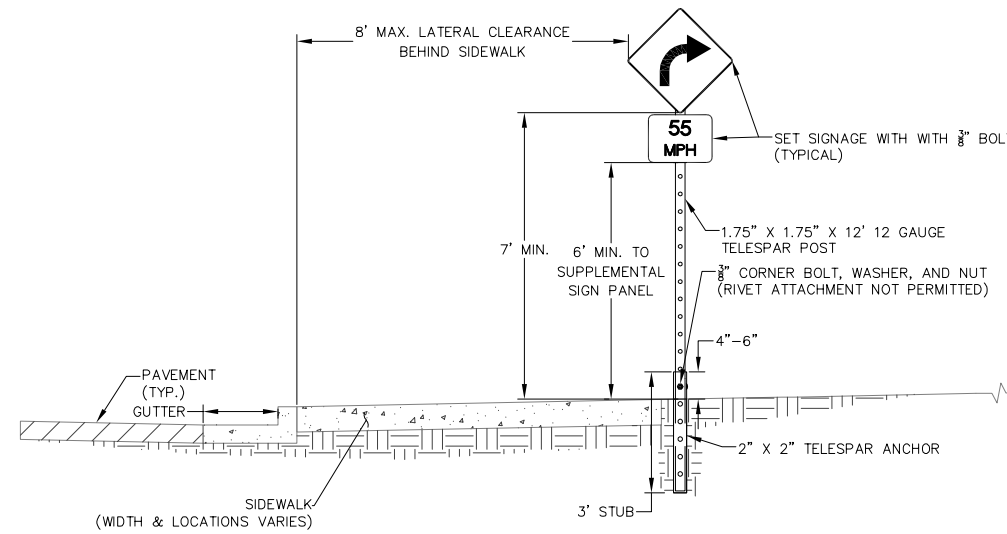
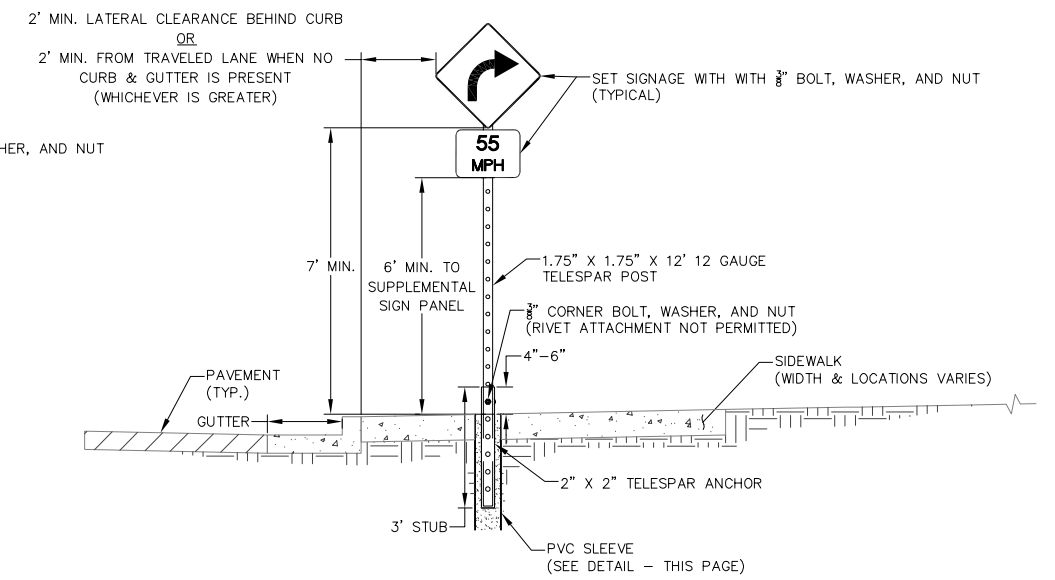


ROAD SIDE SIGN INSTALLATION
(NO SIDEWALK OR DETACHED SIDEWALK)



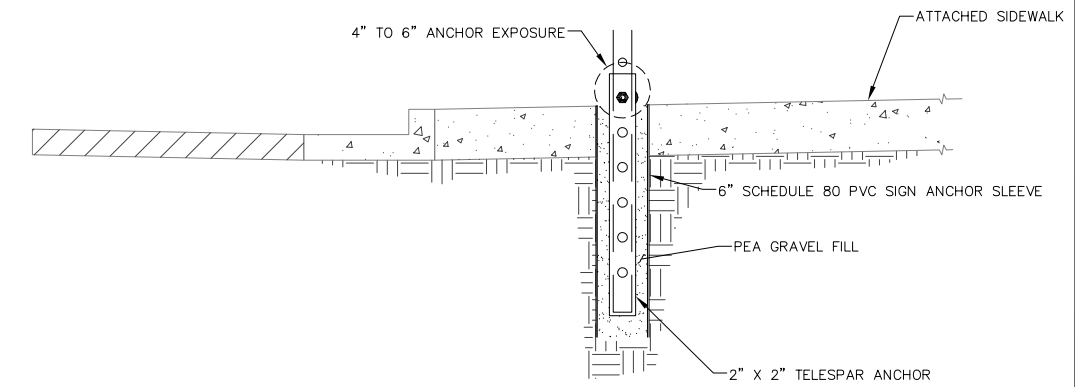
ROAD SIDE SIGN INSTALLATION
(ATTACHED & BEHIND SIDEWALK)



ROAD SIDE SIGN INSTALLATION
(ATTACHED AND WITHIN SIDEWALK)

ROAD SIDE SIGN INSTALLATION NOTES:

1. SIGNAGE SHALL BE SET PERPENDICULAR TO ROADWAY AND VISIBLE TO ONCOMING TRAFFIC.
2. ALL SIGNAGE SHALL MEET THE CURRENT MUTCD STANDARDS.
3. TELES PAR ANCHOR SHALL BE SET IN PEA GRAVEL WITHIN A 6" SCHEDULE 80 PVC PIPE WHEN SIGN IS LOCATED IN CONCRETE.
4. COMPACT EXISTING SOIL MATERIAL PRIOR TO SETTING TELES PAR ANCHOR.
5. SIGNS LARGER THAN 30" USE A 2"x2" 12 GAUGE WITH 2.25" X 2.25" X 3" ANCHOR.
7. SIGNAGE SHALL COMPLY WITH ALL APPLICABLE ARAPAHOE COUNTY STANDARDS & DETAILS.



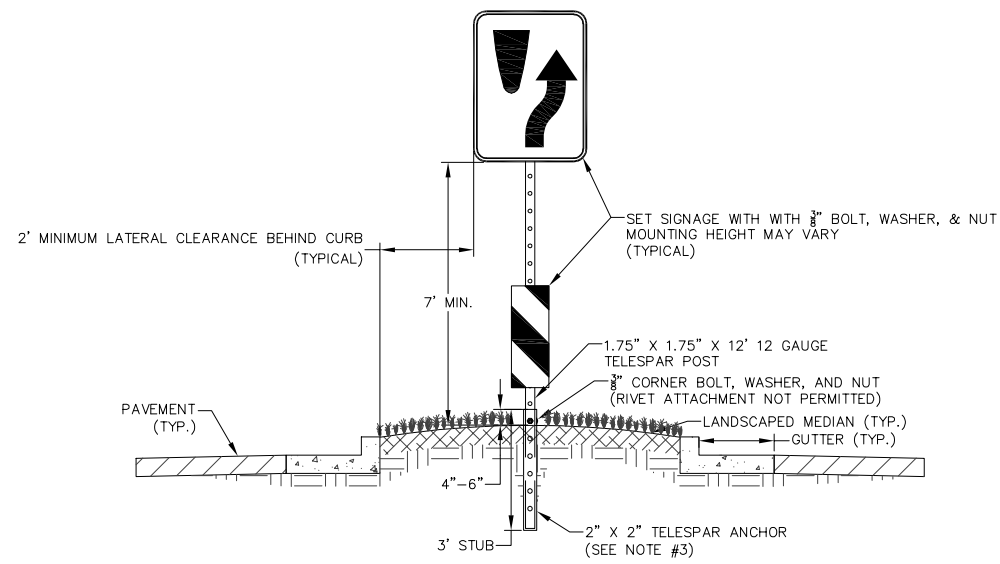
ATTACHED SIDEWALK
6" PVC SLEEVE DETAIL

REVISIONS			
#	DATE	DESCRIPTION	BY
1	ISSUED	ISSUED	

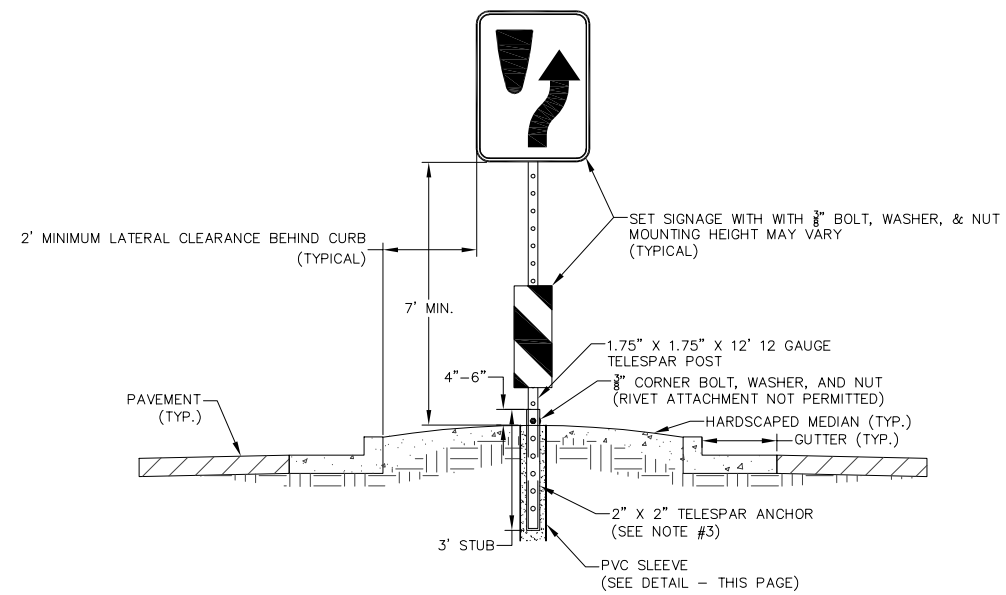
Arapahoe County
ARAPAHOE COUNTY, COLORADO
DEPARTMENT OF PUBLIC WORKS AND DEVELOPMENT
Colorado's First
PREPARED BY THE ARAPAHOE COUNTY ENGINEERING & TRANSPORTATION DIVISIONS
6924 SOUTH LIMA STREET - CENTENNIAL, COLORADO 80112 - PH. 720-874-6500 - FAX. 303-874-6611

ROAD SIDE SIGN STANDARD DETAIL

DRAWN: JB	SCALE: NTS	DETAIL #: S-1
CHECKED: KP		
APPROVED: DS		



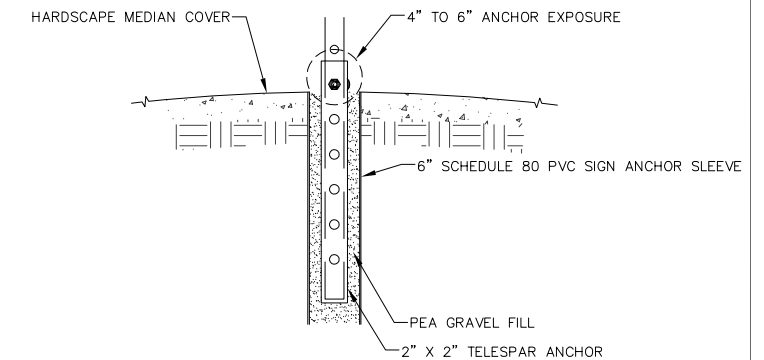
MEDIAN ISLAND SIGN INSTALLATION
(LANDSCAPE COVER)



MEDIAN ISLAND SIGN INSTALLATION
(HARDSCAPE MEDIAN COVER)

MEDIAN ISLAND SIGN INSTALLATION NOTES:

1. SIGNAGE SHALL BE SET PERPENDICULAR TO ROADWAY AND VISIBLE TO ONCOMING TRAFFIC.
2. ALL SIGNAGE SHALL MEET THE CURRENT MUTCD STANDARDS.
3. TELES PAR ANCHOR SHALL BE SET IN PEA GRAVEL WITHIN A 6" SCHEDULE 80 PVC PIPE WHEN SIGN IS LOCATED IN CONCRETE OR AS DIRECTED BY THE ENGINEER.
4. COMPACT EXISTING SOIL MATERIAL PRIOR TO SETTING TELES PAR ANCHOR.
5. SIGNS LARGER THAN 30" USE A 2"X2" 12 GAUGE WITH 2.25" X 2.25" X 3' ANCHOR.
6. ALL SIGNAGE SHALL COMPLY WITH CHAPTER 3 OF THE ARAPAHOE COUNTY



HARDSCAPE MEDIAN ISLAND
6" PVC SLEEVE DETAIL

REVISIONS			
#	DATE	DESCRIPTION	BY
1	ISSUED	ISSUED	

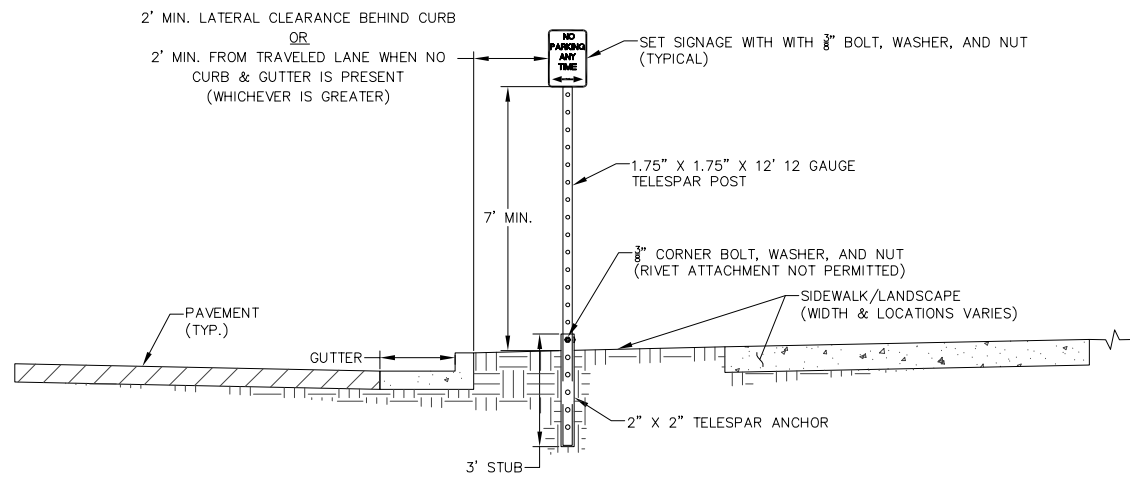
Arapahoe County
ARAPAHOE COUNTY, COLORADO
DEPARTMENT OF PUBLIC WORKS AND DEVELOPMENT
Colorado's First
PREPARED BY THE ARAPAHOE COUNTY ENGINEERING & TRANSPORTATION DIVISIONS
6924 SOUTH LIMA STREET - CENTENNIAL, COLORADO 80112 - PH. 720-874-6500 - FAX. 303-874-6611

MEDIAN SIGN STANDARD DETAIL

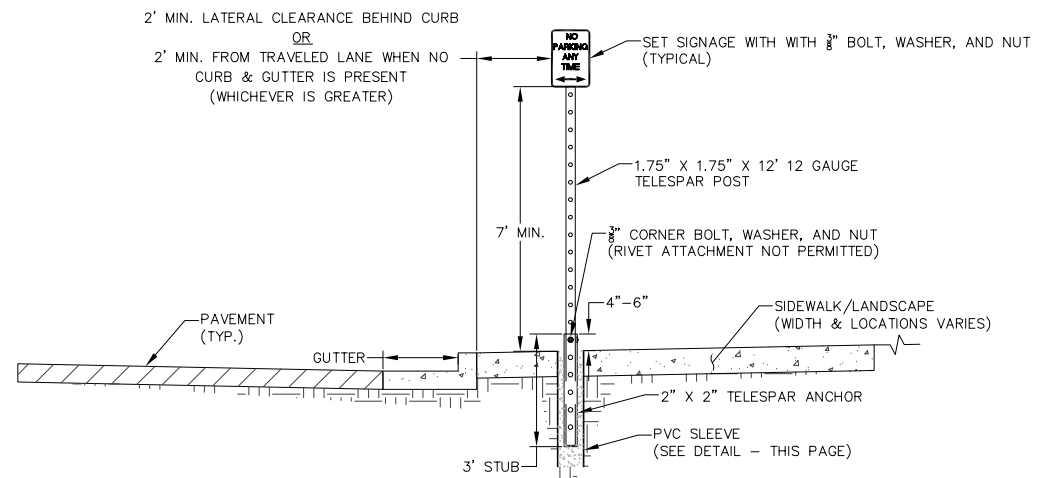
DRAWN: JB
CHECKED: KP
APPROVED: DS

SCALE:
NTS

DETAIL #:
S-2



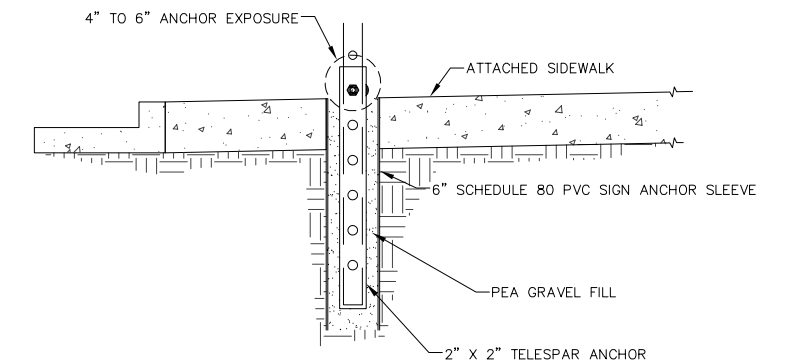
NO PARKING SIGN INSTALLATION
(NO SIDEWALK OR DETACHED SIDEWALK)



NO PARKING SIGN INSTALLATION
(WITHIN ATTACHED SIDEWALK)

NO PARKING SIGN INSTALLATION NOTES:

1. SIGNAGE SHALL BE SET PARALLEL TO ROADWAY AND VISIBLE TO TRAFFIC.
2. ALL SIGNAGE SHALL MEET THE CURRENT MUTCD STANDARDS.
3. TELES PAR ANCHOR SHALL BE SET IN PEA GRAVEL WITHIN A 6" SCHEDULE 80 PVC PIPE WHEN SIGN IS LOCATED IN CONCRETE OR OTHER HARDSCAPE.
4. COMPACT EXISTING SOIL MATERIAL PRIOR TO SETTING TELES PAR ANCHOR.
5. SIGNS LARGER THAN 30" USE A 2"x2" 12 GAUGE WITH 2.25" X 2.25" X 3' ANCHOR.
7. SIGNAGE SHALL COMPLY WITH ALL APPLICABLE ARAPAHOE COUNTY STANDARDS & DETAILS.



ATTACHED SIDEWALK
6" PVC SLEEVE DETAIL

REVISIONS			
#	DATE	DESCRIPTION	BY
1	ISSUED	ISSUED	



ARAPAHOE COUNTY, COLORADO
DEPARTMENT OF
PUBLIC WORKS AND
DEVELOPMENT

PREPARED BY THE ARAPAHOE COUNTY ENGINEERING & TRANSPORTATION DIVISIONS
6924 SOUTH LIMA STREET - CENTENNIAL, COLORADO 80112 - PH. 720-874-6500 - FAX. 303-874-6611

NO PARKING SIGN STANDARD DETAIL

DRAWN: JB

CHECKED: KP

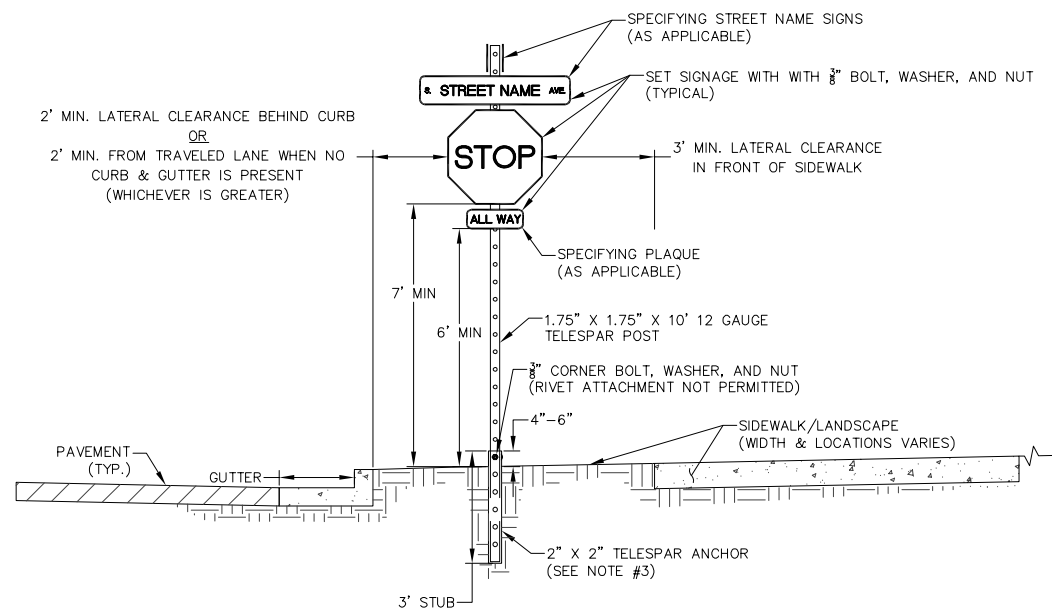
APPROVED: DS

SCALE:

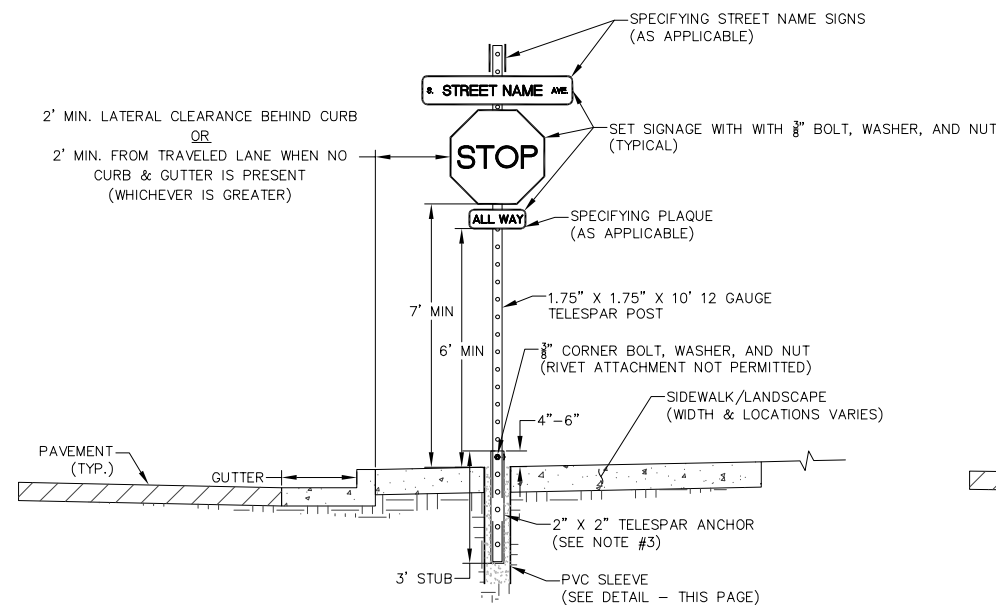
NTS

DETAIL #:

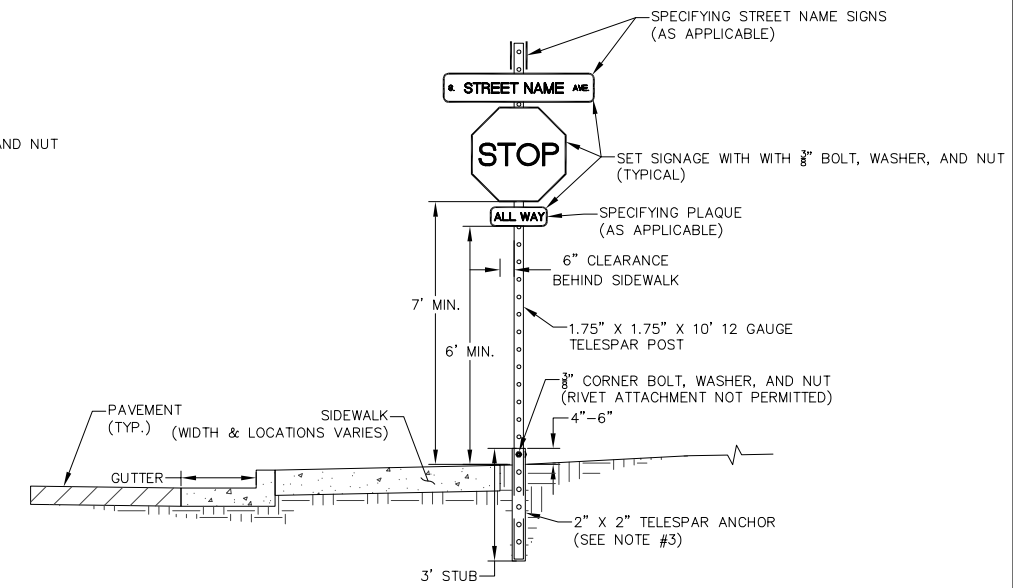
S-3



STOP SIGN INSTALLATION
(NO SIDEWALK OR DETACHED SIDEWALK)



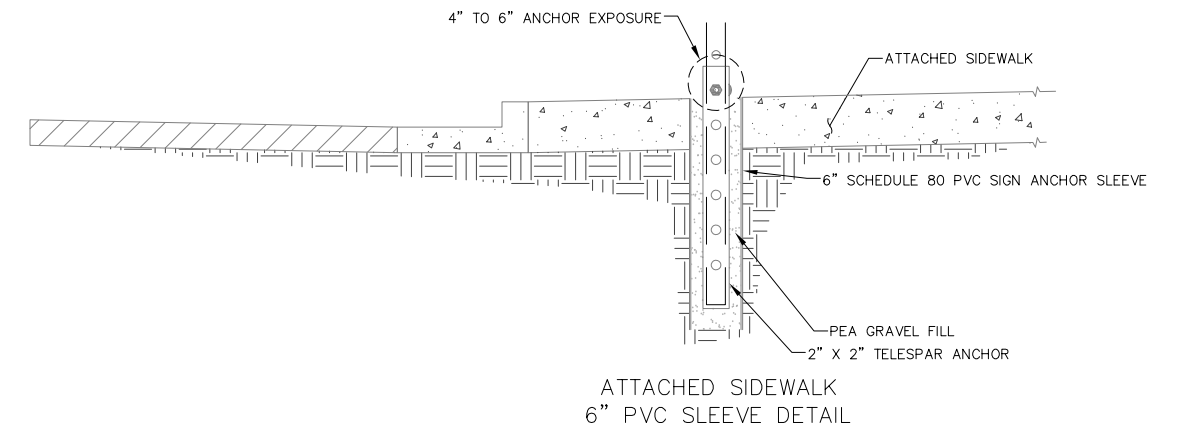
STOP SIGN INSTALLATION
(WITHIN ATTACHED SIDEWALK)



STOP SIGN INSTALLATION
(BEHIND ATTACHED SIDEWALK)

STOP SIGN INSTALLATION NOTES:

1. SIGNAGE SHALL BE SET PERPENDICULAR TO ROADWAY AND VISIBLE TO ONCOMING TRAFFIC.
2. ALL SIGNAGE SHALL MEET THE CURRENT MUTCD STANDARDS.
3. TELES PAR ANCHOR SHALL BE SET IN PEA GRAVEL WITHIN A 6" SCHEDULE 80 PVC PIPE WHEN SIGN IS LOCATED IN CONCRETE. SEE DETAIL THIS PAGE.
4. COMPACT EXISTING SOIL MATERIAL PRIOR TO SETTING TELES PAR ANCHOR.
5. STREET NAME SIGN MAY BE INCORPORATED INTO STOP SIGN POST.
6. SIGNS LARGER THAN 30" USE A 2"x2" 12 GAUGE WITH 2.25" X 2.25" X 3' ANCHOR.
5. SIGNAGE SHALL COMPLY WITH ALL APPLICABLE ARAPAHOE COUNTY STANDARDS & DETAILS.



ATTACHED SIDEWALK
6" PVC SLEEVE DETAIL

REVISIONS			
#	DATE	DESCRIPTION	BY
1	ISSUED	ISSUED	

Arapahoe County
ARAPAHOE COUNTY, COLORADO
DEPARTMENT OF PUBLIC WORKS AND DEVELOPMENT
Colorado's First
PREPARED BY THE ARAPAHOE COUNTY ENGINEERING & TRANSPORTATION DIVISIONS
6924 SOUTH LIMA STREET - CENTENNIAL, COLORADO 80112 - PH. 720-874-6500 - FAX. 303-874-6611

STOP SIGN STANDARD DETAIL

DRAWN: JB	SCALE:	DETAIL #:
CHECKED: KP	NTS	S-4
APPROVED: DS		